

Wi-Fi Plug Pro-25 Product Specification

Shenzhen Eybond Co., Ltd
(All rights reserved)

Documnt version	Modification content	Modifier	Date	Remarks
1.0	First Release	Emma	2022-05-31	

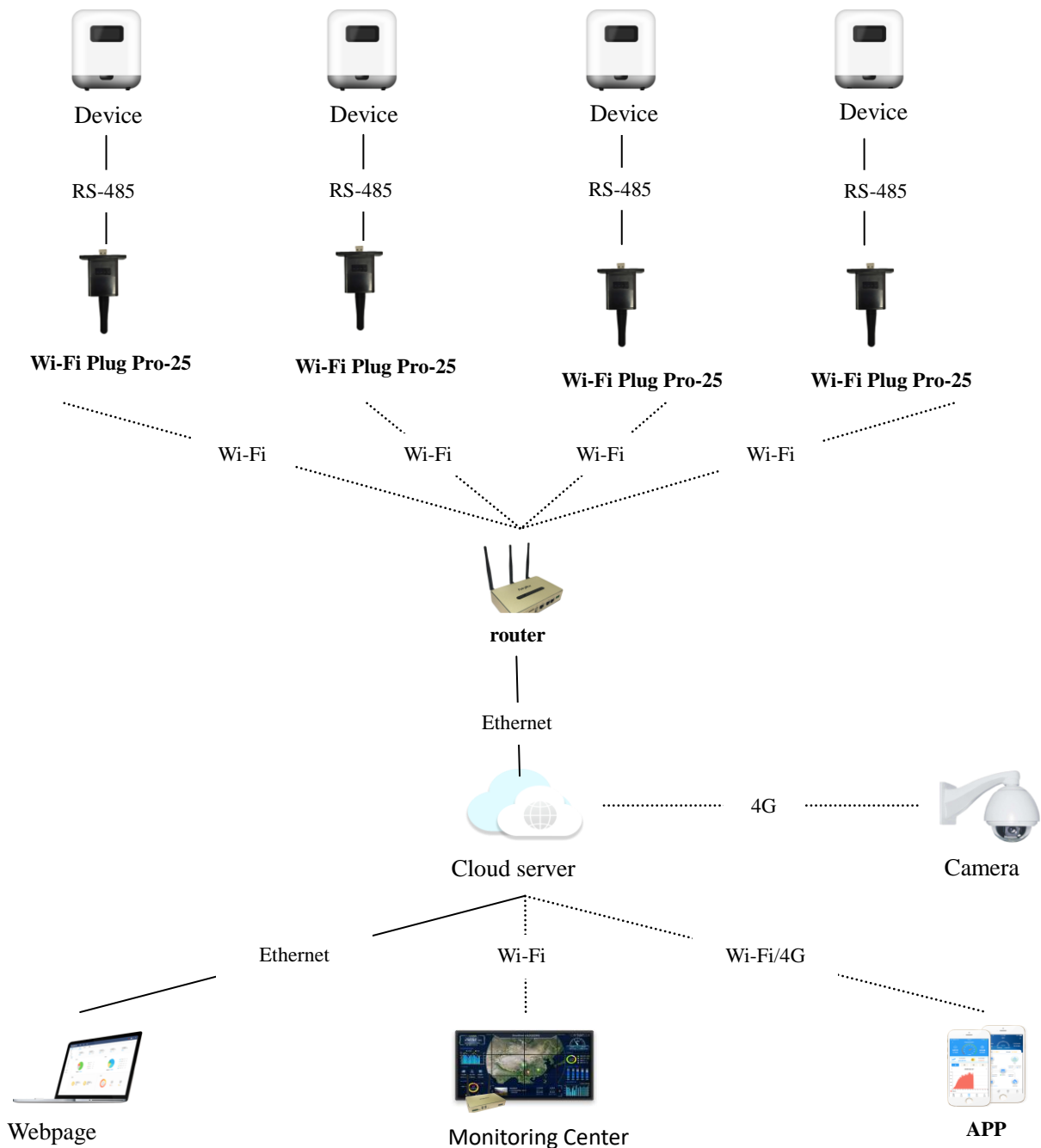
Contents

- 1. PRODUCT OVERVIEW 4
- 2. PRODUCT FEATURES 5
 - 2.1 EASY TO USE 5
 - 2.2 STABLE 5
 - 2.3 FLEXIBLE 5
- 3. PRODUCT STRUCTURE 6
- 4. PRODUCT INTERFACE 7
 - 4.1 PORT DEFINITION 7
 - 4.2 DEFINITION OF INDICATOR LIGHT 7
- 5. PRODUCT SPECIFICATIONS 8

1. Product Overview

Wi-Fi Plug Pro-25 wireless supporting product is used to expand the Wi Fi wireless network data transmission channel of the device. It communicates with the device through the USB interface (serial RS-485) and is fixed on the device., IP65 protection level, easy to install, strong anti-jamming ability, no need to configure additional power and antenna advantages; Supports remote control, remote debugging, remote upgrade and other functions of the device; Access Cloud Server with Operator Base Station. It provides users with a complete monitoring solution with low cost, visualization and remote operation.

This section describes the typical networking of Wi-Fi Plug Pro-25



2. Product Features

2.1 Easy to use

- (1) Simple installation: Screw Fixing, plug and play;
- (2) Loss replacement is simple: external plug-and-drop, no need to disassemble the device, safe and fast;
- (3) Configuration is simple: true zero configuration, power-on can be used;
- (4) Simple maintenance: remote debugging, remote firmware upgrade (including equipment);
- (5) Easy to use: the first step is power on, the second step is networking, and the third step is registration;
- (6) Convenient power supply: take power directly from the equipment side without external power supply;
- (7) Barrier removal is simple: four LED lights indicate the operation status and intuitively understand the working status.
- (8) The networking is simple: no auxiliary equipment is needed, access to the public network directly;
- (9) Price concessions: flow package year, economical, do not have to worry about excessive flow;
- (10) Simple and convenient renewal: recharge interface is provided on the monitoring platform and mobile app.

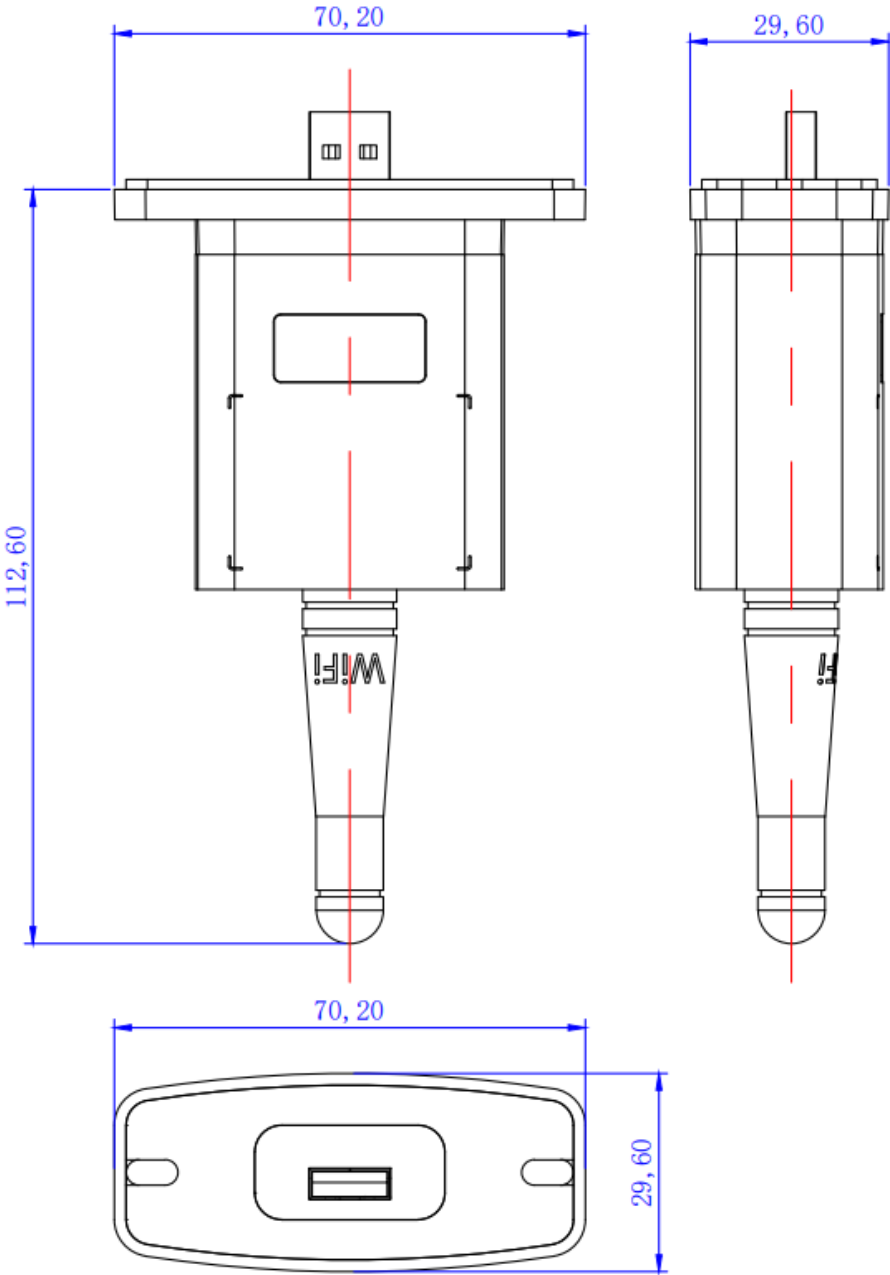
2.2 Stable

- (1) Selection of devices: industrial grade components, can work for a long time at -30 ~80 C;
- (2) Protective measures: under-voltage protection, double protection of software watchdog + hardware watchdog;
- (3) Stability mechanism: Heart beat detection, network retry, device disconnection repair automatically;
- (4) Data security: Private protocols, data validation, intermittent transmission (caching data when network is interrupted, continuing data when network is restored);
- (5) Wide voltage design: DC5V~12V wide voltage design, built-in power anti-back function;
- (6) Outdoor waterproof: IP65, suitable for outdoor environment;

2.3 Flexible

- (1) Protocol Adaptive: supports automatic identification and switching of multiple communication protocols;
- (2) Remote monitoring: can be viewed remotely through the network
- (3) Field configuration parameters: parameters can be viewed and configured on site.

3. Product Structure



单位：mm

4. Product Interface

4.1 Port Definition



Pin	Pin definition	Description
1	VCC	Input DC Voltage DC5V-DC12V
2	RS485B/-	RS485 interface B/-
3	RS485A/+	RS485 interface A/+
4	GND	Power source

4.2 Definition of indicator light



Number	Silk screen printing	Description
1	PWR/ Power Supply	Light on: external power input
2	COM/ Equipment	Light on: Subordinate device responded
3	NET/ Networking	Light on: Connect to router
4	SRV/ Connect to cloud server	Light on: Connect to the specified server

5. Product Specifications

Content	Parameter	Value
General parameters	Dimensions (length/width/height)	65*70.2*29.6mm
	Weight	70g
	Protection Level	IP65
	Rated voltage	DC5V~12V
	Maximum Current	2A(DC5V)
	Operating temperature	-30°C ~ +85°C
	Storage temperature	-40°C ~ +90°C
External interface	USB connector	For communication and power supply
	Work indicator light	Indicator lights: power supply, equipment, router and server, which are normally on and abnormal when not on
Hardware component	Data entry method	RS-485
	Data Output Method	Wi-Fi
	TTL baud rate	9600bps(default)
	Hardware watchdog	support
Wi-Fi part	working frequency	2.412GHz-2.484GHz
	Wireless standard	802.11 b/g/n
	Antenna gain	2.5dBi
	antenna	External
	Data rate	11Mbps@11b, 54Mbps@11g, 72Mbps@11n
	Hardware encryption	WEP, WPA/WPA2
	Communication distance	100 metre (Open environment)
	Operating mode	AP+STA(co-existence model)
Software section	Supported Device Protocols	Modbus-RTU(mainstream), no Modbus-RTU
	Supported Network Layer Protocols	Modbus-TCP
	Software watchdog	Support
	Data upload cycle	5 minutes (default)
	Parameter Configuration	SMS/Remote Server
	Supporting cloud platforms	Eybond Photovoltaic cloud
Other	Number of connected devices	1 set
	Quality Assurance	2 years
	Authentication	CE, ROHS